

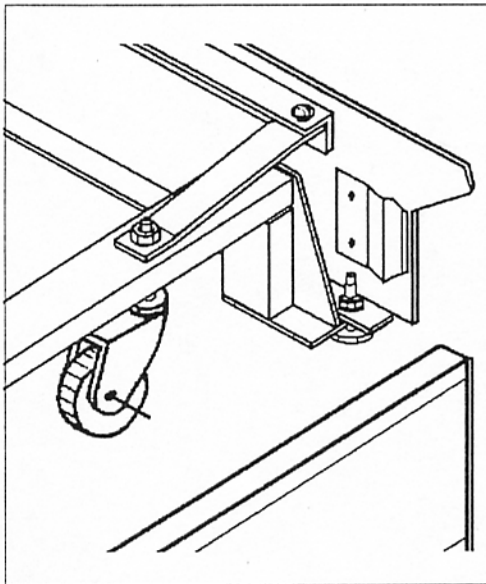
SINGLE GONDOLA CASTOR SUPPORT BAR ASSEMBLY INSTRUCTION

GONDOLA SWIVEL CASTOR ASSEMBLY		
NO.	DESCRIPTION	QTY
①	Castor Support Bars	3
②	Shoes	4
③	Swivel Castors	6
④	Tie-strip 18ga.	4
⑤	Front toes	2
⑥	Base shelves	2
⑦	3/8 - 16 nuts & lock washers	6ea.
⑧	Shoe Rails	4
⑨	Levelers	4
⑩	10 x 1/2 sheet metal screws	4

Weight capacity Unit plus Product: 850 lbs.
Gondola sits 1" off the floor.

Castor kit parts:

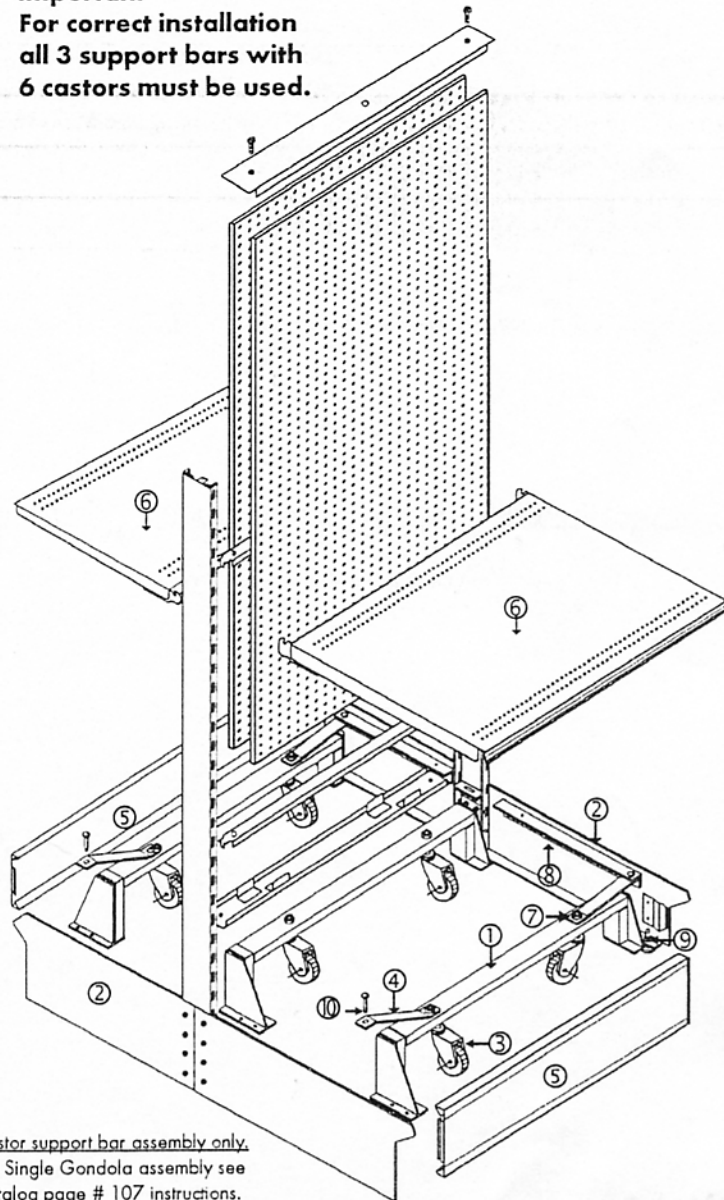
- 3 - Support Bars
- 4 - Tie-strip
- 6 - Castors, 4" Dia.
- 6 - 3/8 lock washer & 3/8-16 Nut
- 4 - Sheet metal screw #10 x 1/2



- a) When Gondola is already assembled remove base shelf #6 and front toe #5. Gondola must be lifted off the floor to install castor support bar. (For Gondola assembly see Gondola instructions).
- b) Insert castors #3 into support bars #1, place tie-strip #4 on top and secure it with 3/8 - 16 nut and lock washer #7. (Tie-strip not needed for center castor support bar).
- c) Remove leveler #9 from Gondola shoe #2. Place support bar #1 under shoe #2. Screw leveler #9 through gondola shoe and support bar. (Leveler is used as a bolt to attach the bar to the Gondola shoe).
- d) Attach tie-strip #4 to shoe rail #8 using 10 x 1/2 sheet metal screws #10.
- e) Place front toe #5 and base shelf #6 back onto shoes.

"Important"

**For correct installation
all 3 support bars with
6 castors must be used.**



Castor support bar assembly only.
For Single Gondola assembly see
Catalog page # 107 instructions.

Your
Store Fixture
Source...

Handy®
STORE FIXTURES

Corporate Headquarters • 337 Sherman Avenue • Newark New Jersey 07114 • 1-800 631-4280

MANUFACTURING STORE FIXTURES SINCE 1952