

# Beer Cave Shelving Assembly Instructions

## Materials Parts List: (Per 3' or 4' Section)

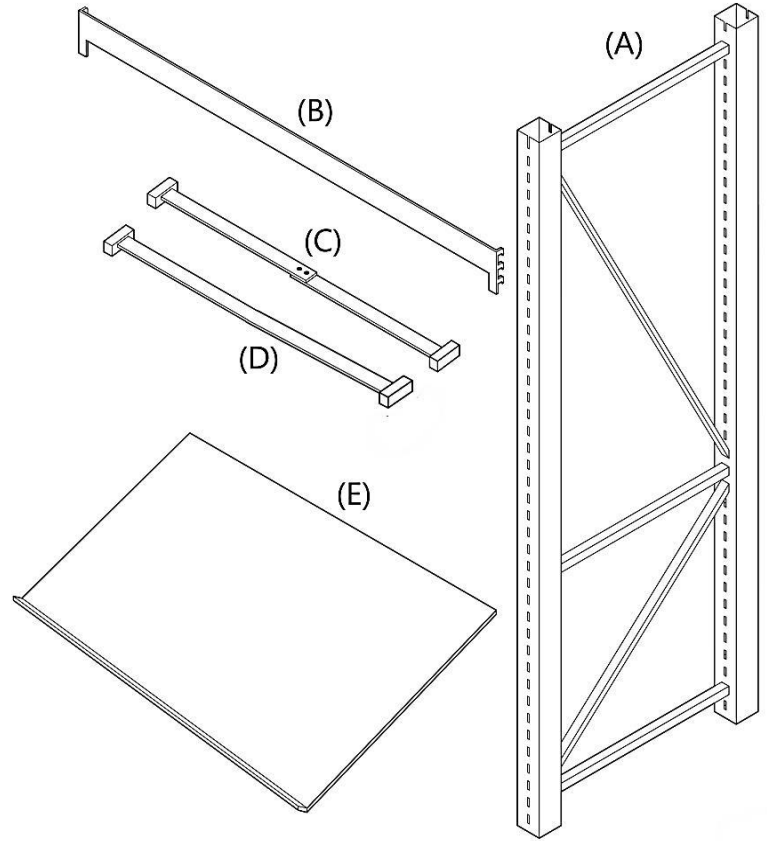
**A:** Beer Cave Shelving End Frames (2)

**B:** Beer Cave Shelving Beams (5) for the Front  
(5) for the Back = (10)

**C:** Beer Cave Shelving Shelf Supports for top  
slanted shelves (6)

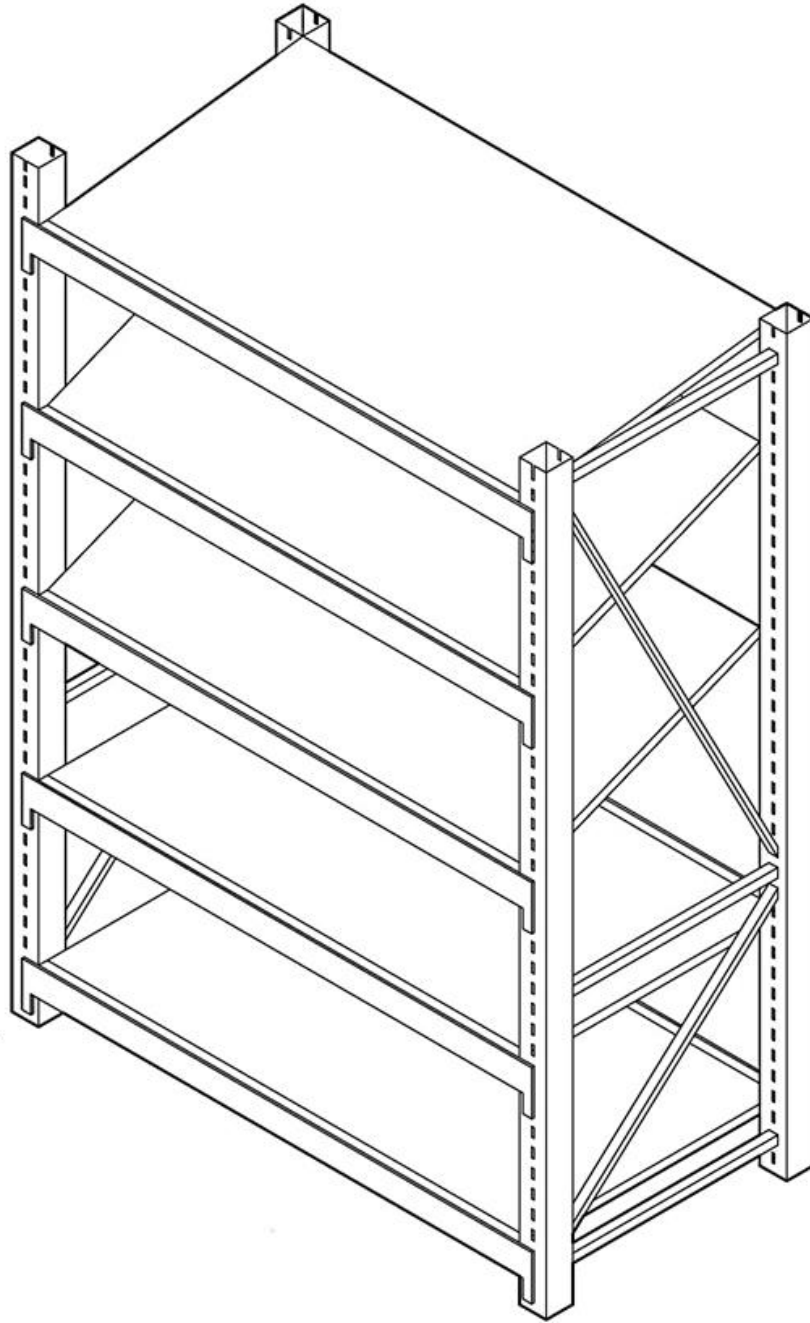
**D:** Beer Cave Shelving Shelf Support for bottom  
straight shelves (4)

**E:** Beer Cave Shelving Shelves (3) with front lip  
(slanted) (2) no lip (straight) = (5)



## Assembly Instructions: (please note two persons highly recommended)

- 1) Stand up both End Frames. (A)
- 2) Insert 2 Beams (B) into the bottom holes of the End Frames (A) on both the front and back of the Beer Cave Shelving unit.
- 3) Insert 1 Beam (B) onto the top holes of the End Frames (A) on the back side to create an angle. **PLEASE NOTE;** leave the top notch empty on the back of End Frames. (A)
- 4) Insert the remaining 3 Beams (B) into the back of the End Frames. (A) **PLEASE NOTE;** For the bottom 2 Straight Beer Cave Shelves, (D) the bottom sets of Beams (B) should be placed at the exact same level on the front and back of the End Frames (A) to create a level shelf.
- 5) Insert the remaining 3 Beams (B) into the front of the End Frames. (A) **PLEASE NOTE;** Front side Beams (B) are recommended to be placed 2 spots lower than the Beams (B) on the back side for the 3 Slanted Beer Cave Shelves with Front Lip (E) to create a sloped shelf.
- 6) Using provided Nuts & Bolts, attach the Beer Cave Shelving Shelf Supports to each other. (C)
- 7) Once all the Beams (B) are installed to the End Frames (A) insert the Beer Cave Shelving Shelf Supports (C & D) inside both the top 3 slanted Beams (B) and bottom 2 straight Beams. (B) **PLEASE NOTE;** On the top 3 slanted Beams (B) place the long end of the Beer Cave Shelving Shelf Supports (C) on the top of the back Beam (B) and the short end on the front Beam. (B)
- 8) Once every Beer Cave Shelving Shelf Supports (C & D) are inserted inside the Beams (B) place the Beer Cave Shelving Shelves (E) onto the Beams. (B) **PLEASE NOTE;** Use the Beer Cave Shelving Shelves with Front Lip (E) on the top 3 Beams (B) and the Beer Cave Shelving Shelves with no Lip (E) on the bottom 2 Beams. (B)



Instruction Video: <https://www.youtube.com/watch?v=4hJ9L-zBNKc>