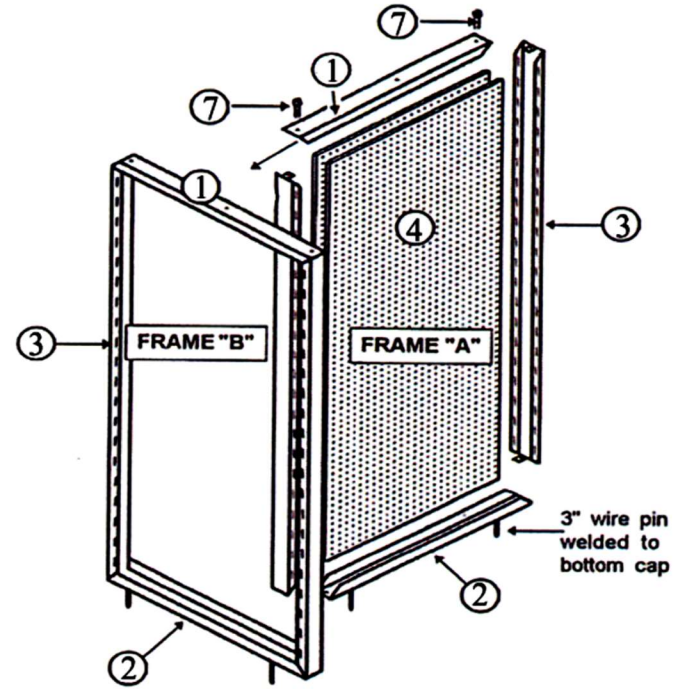


Handy Store Fixtures 4 - Way Display

Assembly Instructions

Materials Parts List:

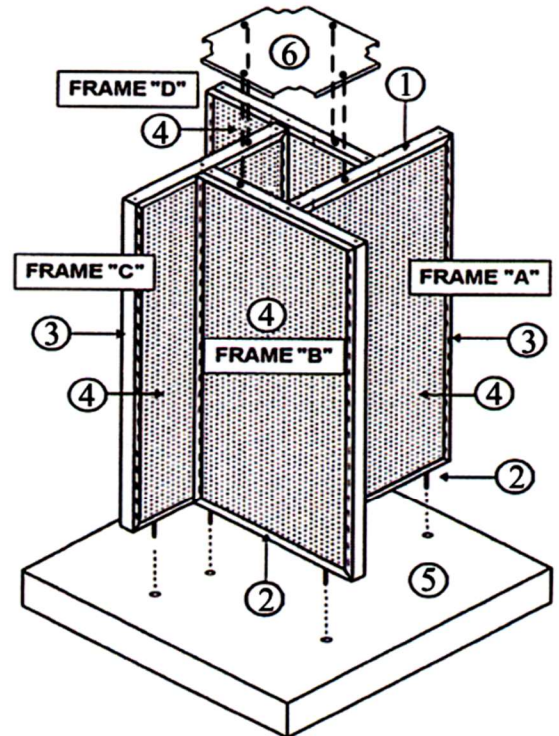
1. 4 - Top Cap (with threaded holes)
2. 4 - Bottom Cap Frame with welded wire pin
3. 8 - Reversible Frame Upright
4. 8 - Back Panel
5. Square Base Wood Deck
6. Top Cover Piece
7. 20 - 10-32 x 1/2" Screws



Assembly Instructions:

PLEASE NOTE: 2 persons are required for 4 - Way Assembly

- A) Screw the Bottom Cap Frame (2) to the 2 Reversible Frame Uprights (3) the Bottom Cap Frames (2) has 2 sets pins.
- B) Insert the Back Panels (4) (2 pieces per frame) into the Reversible Frame Upright. (3) Than screw down the Top Cap. (1)
Please Note: Top Cap (1) center hole must be offset to the right.
- B1) Assemble all 4 Frames first. All Frames must be identical.
- C) Set the assembled Frames into the matching holes in the Base Wood Deck. (5)
- D) The slots on the Uprights determine the front of the Frames.
- E) Set Top Cover Piece (6) on top of the Frame Uprights and screw down into the Top Cap (1) with screws. (7)



Handy[®]
STORE FIXTURES