

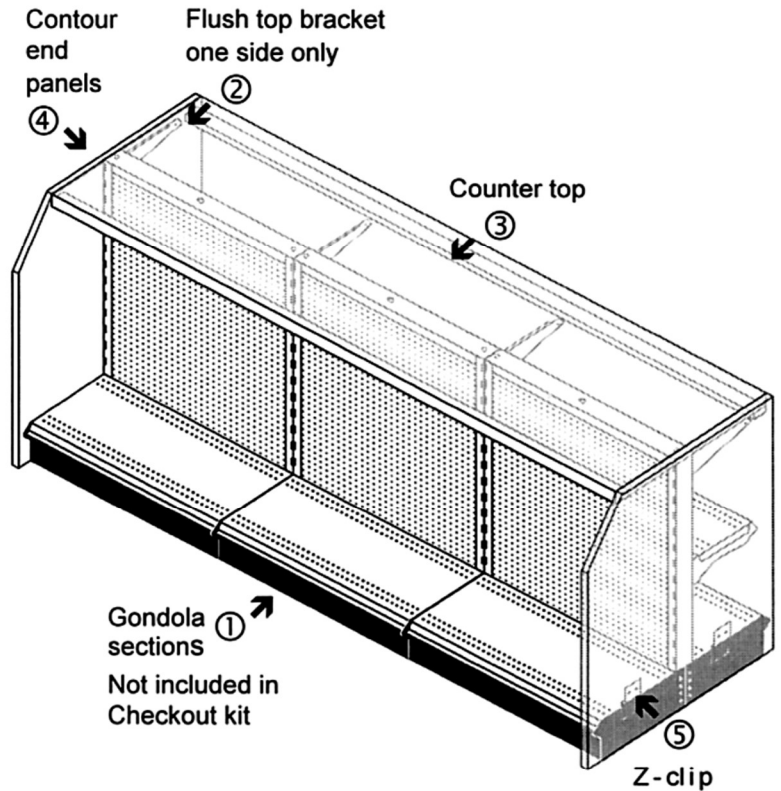
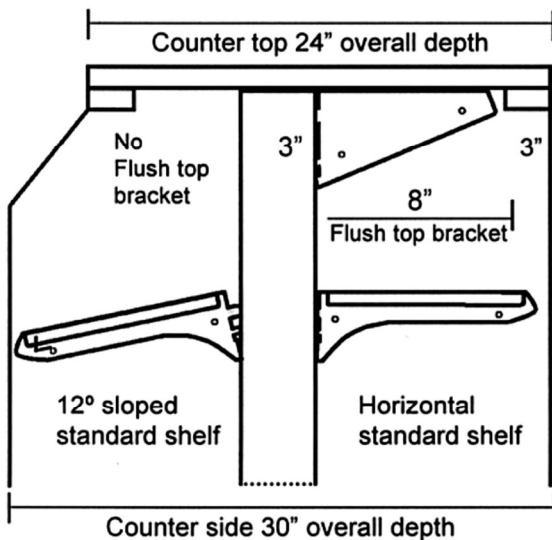
CONTOUR GONDOLA CHECKOUT KIT ASSEMBLY INSTRUCTIONS

CONTOUR GONDOLA CHECKOUT COUNTER KIT ASSEMBLY INSTRUCTIONS

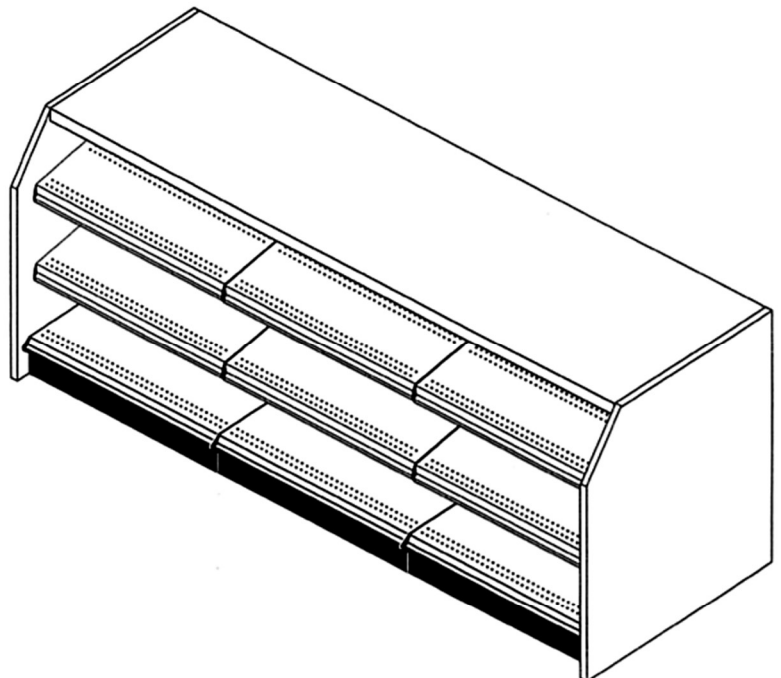
- Gondola checkout counter is to be assembled over gondolas.
- Hook flush top brackets (#2) so that the bracket tops are flush with the top of the of the gondolas, (#1).
Note: Contour side does not require flush top bracket.
- Place the counter top (#3) over the top of the gondolas and flush top brackets (#2).
- Attach the end panel (#4) to the counter top using the cams and dowels for 8' or longer. (Not shown).
- Attach the Z-clips (#5)-(2 Z-clip per side) between the end shoe and base with 3/4" screws.

*Note: Gondola not included in kit.

CONTOUR SIDE DOES NOT REQUIRE FLUSHTOP BRACKET



CONTOUR GONDOLA CHECKOUT WITH 1" FRONT LIP ON 12° SLOPED HANDY STANDARD SHELVES



GONDOLA CHECKOUT COUNTER KIT		
No.	Description	Part No.
#1	Gondolas	See gondola assembly instruction sheet
Gondolas not included in kit		
CHECKOUT COUNTER KIT INCLUDES		
#2	Flush Top Brackets	FTB + Depth
#3	Counter Top	PART NO. CHKT plus angle degree
#4	End Panels	
#5	Z-Clip	
#6	Dowels & Cams	Not shown, located inside counter