

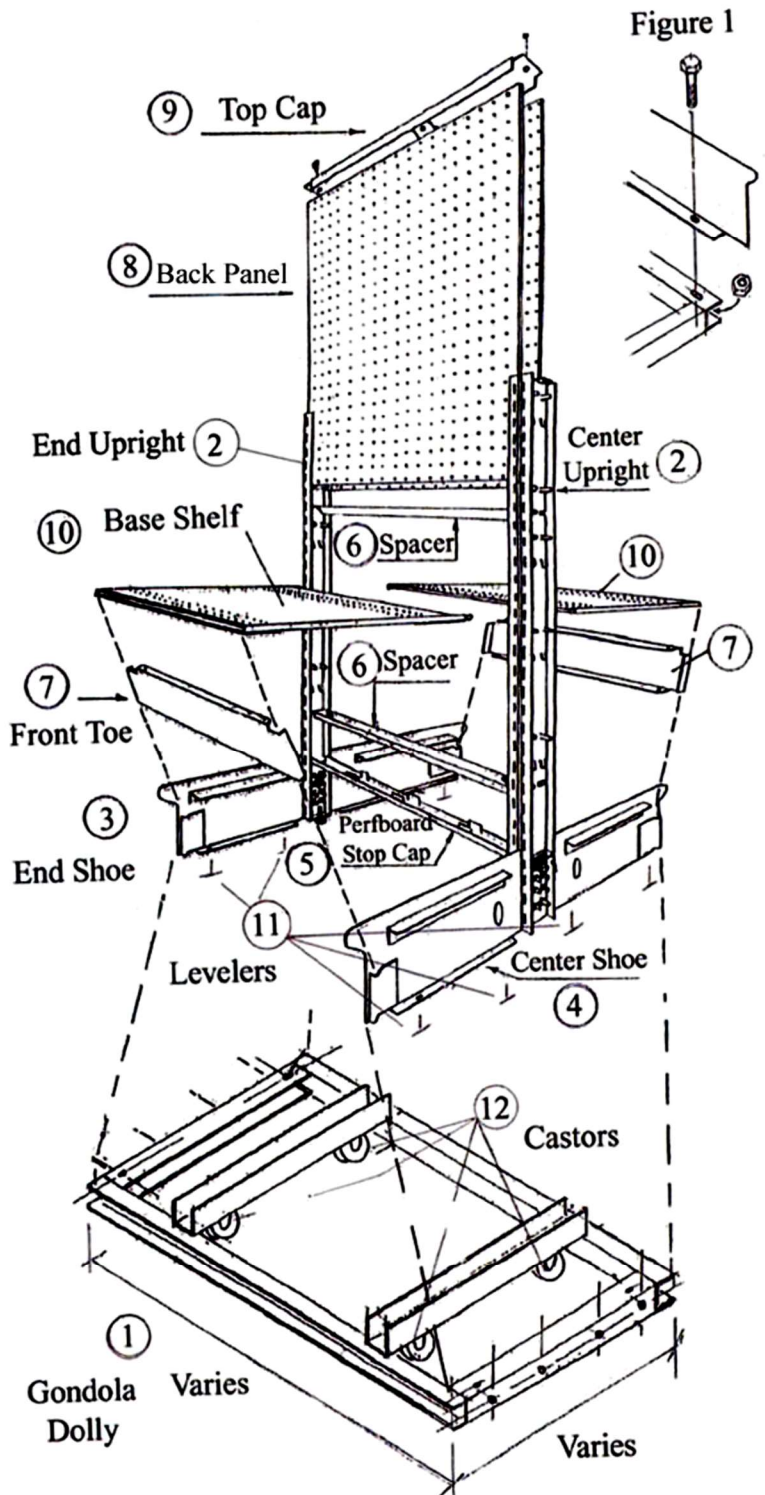
# Handy Store Fixtures Gondola Dolly Assembly Instructions

## Materials Parts List:

1. Gondola Dolly Frame
2. Gondola Uprights
3. End Shoe
4. Center Shoe
5. Back Panel Stop Cap
6. Spacers
7. Front Toe
8. Back Panel
9. Top Cap
10. Base Shelf
11. Levelers
12. Castors with Nuts & Bolts

## Assembly Instructions:

- A) Remove levelers that are inserted into End Shoe (#3) and Center Shoes. (#4)
- B) Screw 4 Castors (#12) into Gondola Dolly Frame. (#1)
- C) Attach Shoes to Gondola Dolly Frame. (#1) Bolt down to the Frame, bolts go down thru End Shoe, into Frame. (#1) Use nut to tighten. *(See Figure 1)*
- D) Insert Back Panel Stop Cap. (#5)
- E) Insert Spacers. (#6)
- F) From above, slide Front Toes (#7) into End & Center Shoe. (#3) & (#4)
- G) Slide Back Panel (#8) from top into one Upright, (#2) then bend and slide into the other Upright. (#2)
  - \* **NOTE:** (If 1/4" Back Panel is more than one piece, place Plastic Divider Bar (not shown) between Back Panels. (#8))
- H) Screw Top Cap (#9) into Uprights. (#2) (screws shipped in Uprights)
- I) Hook in Base Shelf properly. (#10)



**Handy**<sup>®</sup>  
STORE FIXTURES

MANUFACTURING STORE FIXTURES SINCE 1952

Handy Product Support: (908) 474-1343; Hours of Operation Mon - Fri 8:00 a.m. to 5:00 p.m.