

# Handy Store Fixtures Space Plus

## Conversion Assembly Instructions

(Page 1)

### Materials Parts List:

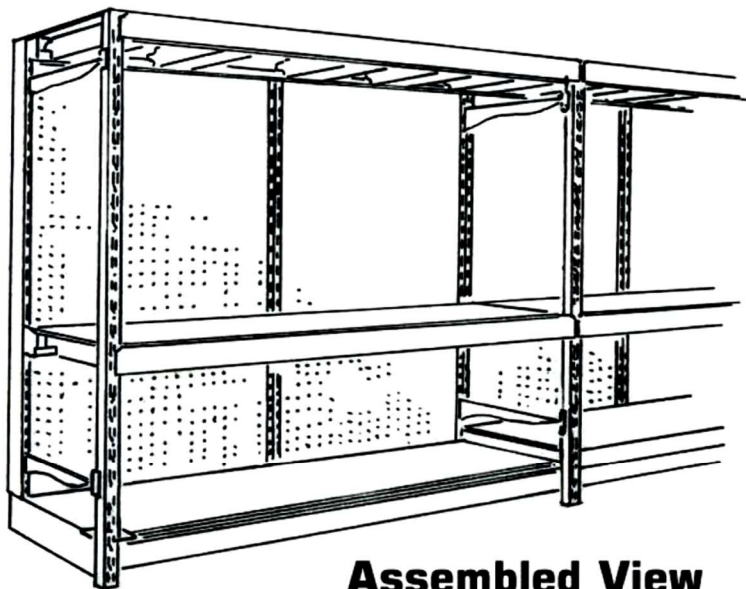
(Starter Unit Only)

1. Post - (2)
2. Leveler Screws (shipped in Posts)
3. Attachment Clips - (2)
4. Support Bracket - (4)
5. 20 - 5/8" x 1/4" Bolts with Nuts - (4)
6. 20 - 2 1/2" x 1/4" Bolts with Nuts - (4)

### COMPONENTS PER SHELF

(Quantity depends on customer's need)

7. Shelf (5/8" Plywood)
8. Rear Beam Required
9. Front Beam Required
10. Deck Supports as required per section width



**Assembled View**

### Assembly Instructions:

**Please Note: 2 person assembly strongly recommended**

- A) Twist Attachment Clip (3) onto Post. (1) Then bolt Attachment Clip (3) to the bottom of the Base Shelf using 20 - 5/8" x 1/4" Bolts. (6) (See FIG. 1 on Page 2)
- B) Two Support Brackets (4) should be installed on each side of the unit and spaced 1' from the top and bottom. Hook Support Bracket (4) into Upright Slots and position slotted end with channel so it aligns with the hole in the Post. (1) Insert screw through hole in vertical slot and into slot of Support Bracket. (4) (See FIG. 2 on Page D)
- C) Insert Rear Beam (8) into corresponding slots of Uprights. (See FIG. 3 on Page 2)
- D) Insert Front Beam (9) into corresponding slots of Front Posts. (1) Make sure Front Beam (9) is same height as Rear Beam. (8) (See FIG. 3 on Page 2)
- E) With Front and Rear Beams secure, twist in Deck Supports (10) onto the lower lip of each Beam. Slide the Deck Supports (10) so that they are evenly distributed over the length of each Beam. The Deck Support (10) should sit level with the lower edge of each Beam. (See FIG. 4 on Page 2)
- F) Slide a Shelf (7) onto the lips of each Beam. (8,9) The Shelf (7) should lie flat and flush against the Beams (8,9) and on top of the Deck Supports. (10) (See FIG. 4 on Page 2)
- G) Near a Post, (1) place a level on the Shelf (7) so it's perpendicular to the Beams. (8,9) Level the unit by turning the Leveler Screws (2) with a flat head wrench. Once level, tighten the Support Brackets. (4) (See FIG. 5 on Page 2)

**Handy**<sup>®</sup>  
STORE FIXTURES

MANUFACTURING STORE FIXTURES SINCE 1952

Handy Product Support: (908) 474-1343; Hours of Operation Mon - Fri 8:00 a.m. to 5:00 p.m.  
www.handystorefixtures.com

# Handy Store Fixtures Space Plus Conversion Assembly Instructions (Page 2)

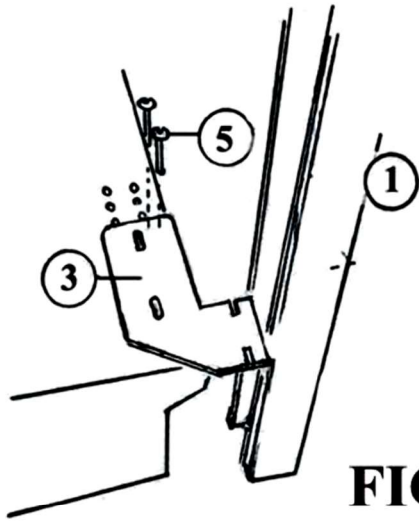


FIG. 1

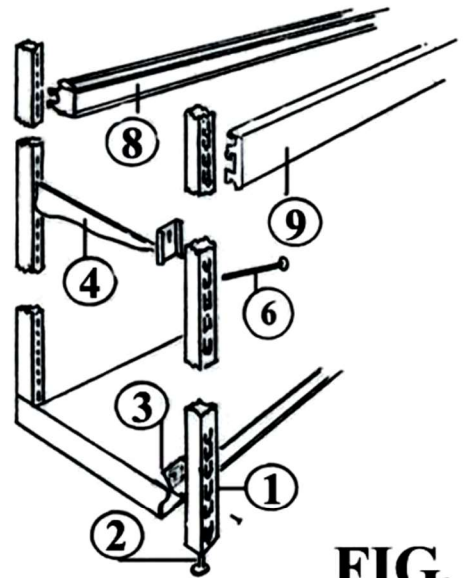


FIG. 2

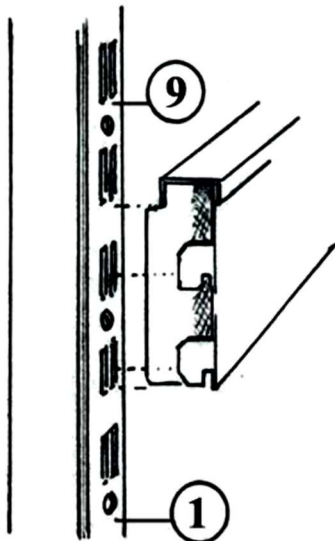


FIG. 3

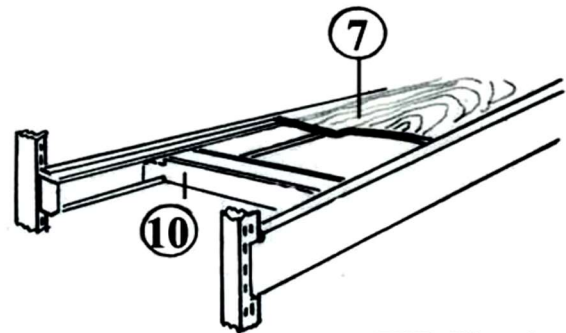


FIG. 4

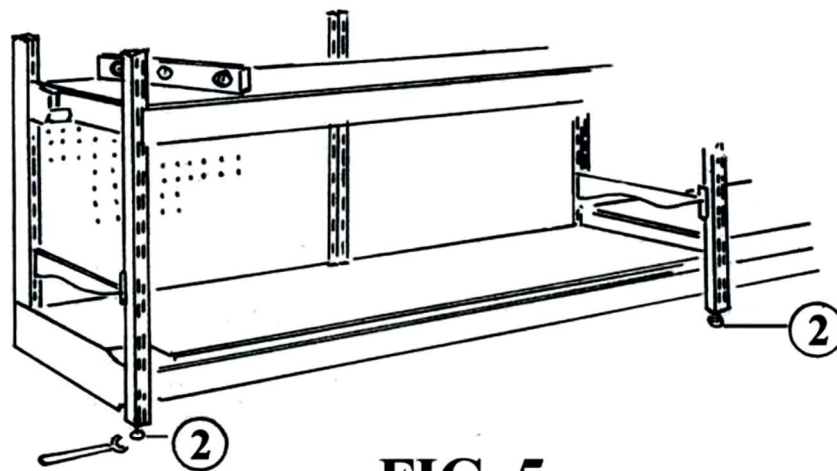


FIG. 5

**Handy®**  
STORE FIXTURES

MANUFACTURING STORE FIXTURES SINCE 1952

Handy Product Support: (908) 474-1343; Hours of Operation Mon - Fri 8:00 a.m. to 5:00 p.m.

[www.handystorefixtures.com](http://www.handystorefixtures.com)