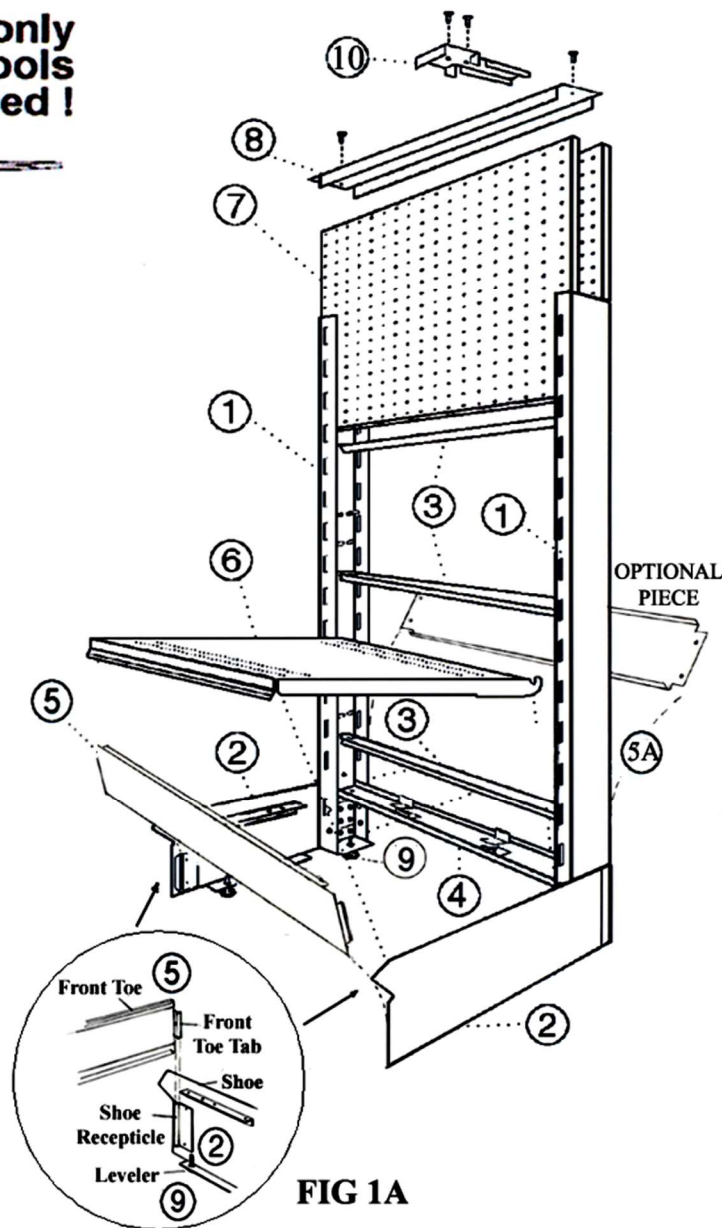
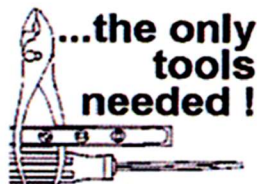


Handy Store Fixtures End Unit Assembly Instructions

Master Parts List:

1. End Upright with End Shoe (#2) bolted to Upright
2. End Shoe (Base Shelf Rail on one side of Shoe)
3. Spacers
4. Panel Stop Cap
5. Front Toe
- 5A. Rear Cover Plate (optional part, must be ordered seperately)
6. Base Shelf
7. *Back Panel
 - *NOTE: If unit consists of 3/4" factory pre-grooved Slatwall, special spacers (#3) are required for the Slatwall to fit in Uprights. If not, Slatwall will be 1/4" forward of the Uprights. (ALL DSF SHELVES WILL WORK).
8. Top Cap (remove screws from Uprights and replace)
9. Leveling Screws (shipped in shoe)
10. T-End Unit Clip (optional)



Assembly Instructions:

- A) Insert Back Panel Stop Cap (#4) into Uprights. (#1)
- B) Insert Spacers (#3) into Uprights. (#1)
- C) Slide Front Toes (#5) into Shoes. (#2) *See Figure 1A*
- C1) Slide Rear Cover Plate (#5A) from top onto Shoes. (#2)
- D) Slide Back Panel (#7) from top into one Upright, (#1,) then bend and slide into the other Upright. (#1)
 - * NOTE: (If 1/4" Back Panel is more than one piece, place Plastic Divider Bar (not shown) between Back Panels. (#7))
- E) Screw Top Cap (#8) into Uprights. (#1) (screws are shipped in Uprights)
- F) Level the unit horizontally and vertically.
- F1) First level outer leveling screws, then adjust middle leveling screw.
- G) Hook in Base Shelf (#6) and seat properly.
- H) If purchased, attach End Unit to Gondola with T-End Unit Clip. (#10)

Handy®
STORE FIXTURES

MANUFACTURING STORE FIXTURES SINCE 1952

Handy Product Support: (908) 474-1343; Hours of Operation Mon - Fri 8:00 a.m. to 5:00 p.m.

www.handystorefixtures.com