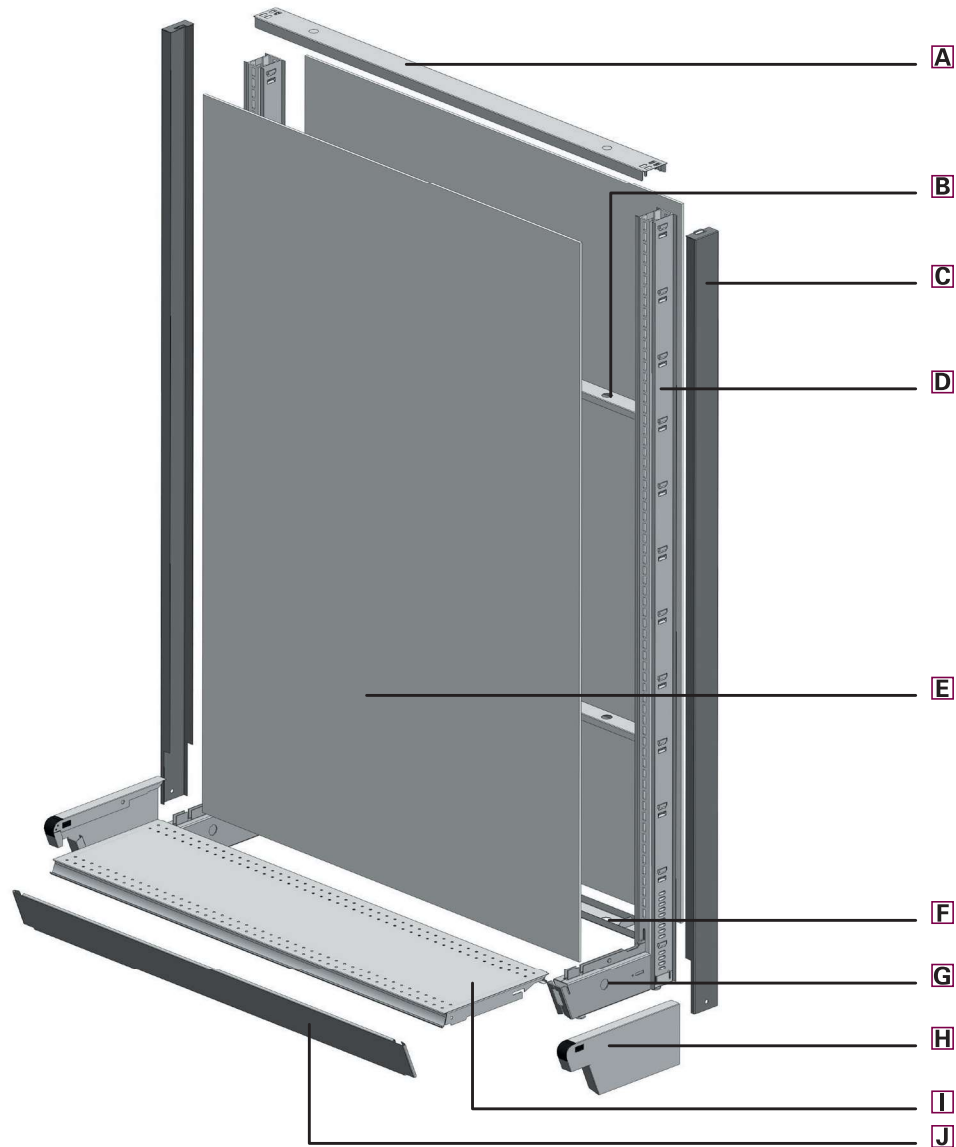


# WALL SECTION DETAILS



## WALL/COMPLETING SECTION COMPONENTS

Each Wall Section locks to the adjacent section to form any length gondola run. One Completing Unit is required to complete any length wall run.

Each Wall Section Includes:	
<b>A</b>	1 - Top Cap
<b>B</b>	2 - Back Panel Spacers, 3 for 78" or higher
<b>D</b>	1 - Full Standard Upright
<b>E</b>	1 - Back Panel
<b>F</b>	1 - Bottom Spreader
<b>G</b>	1 - Base Shoe (detachable or welded*)
<b>I</b>	1 - Base Shelf
<b>J</b>	1 - Kickplate

Each Wall Completing Section Includes:	
<b>C</b>	2 - Post End Cap
<b>D</b>	2 - Full Standard Upright
<b>G</b>	2 - Base Shoe*
<b>H</b>	2 - Base End Closers

\*Base Shoe & Uprights are replaced with a fully welded upright/shoe assembly when the welded upgrade option is selected.

## Upgrades

- Gondola Guard Base Protection System™
- Bullnose Base System
- Fully Welded Upright/Shoe Assembly
- Special Back Panels
- Mobile Shelving
- Merchandising Aids