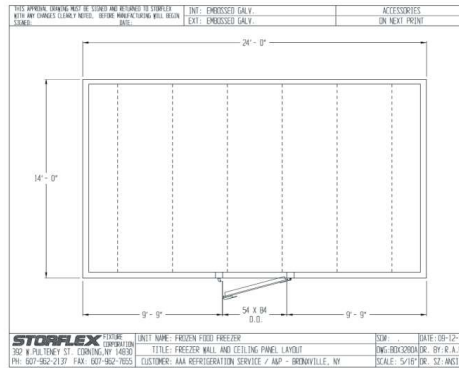
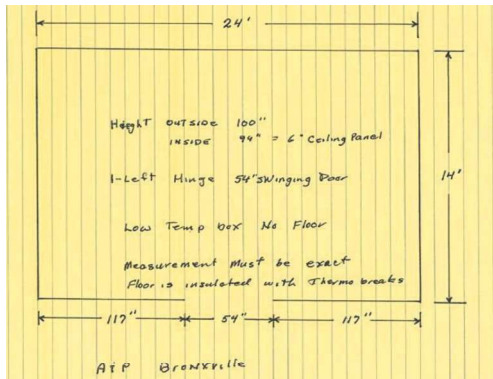




Handy Store Fixtures walk-in cooler and freezers set a new standard in high quality refrigeration room applications. Our Class 1 rated coolers and freezers feature tongue and groove cam locking wood frame construction, CFC-free urethane foam insulation, UL and NSF listed and approved, carrier rails for interior fittings, self-closing standard swing doors and other elements designed to improve the function and appearance of your refrigerated display units.

Accessories offered include reach in display doors with shelving and lights, double acting doors, dunnage rack, stainless steel shelves and uprights and interior and exterior ramps.



Affordable and customized to your precise specifications, Handy Store Fixtures walk-in coolers and freezers are the solution for supermarkets large and small, convenience stores, restaurants and virtually any food service environment. Our coolers and freezer are assembled with ease. Handy Store Fixtures offers the best lead time and quality. From start to finish, the Handy Store Fixtures process is designed to be responsive to your needs and concerns, equipping your business with the best possible refrigeration room solutions.

**Contact us** to request a product catalog, or for more information about Handy Store Fixtures custom walk in boxes and fixtures.



## **A. TONGUE & GROOVE LOCKING WOOD FRAME CONSTRUCTION**

The strength and flexibility of wood frame construction allows exact dimension manufacturing. Positive camlock mechanism, approved compression gaskets for positive seal.

## **B. STANDARD FINISH**

Standard galvanized embossed steel, aluminum embossed, white embossed galvanized, and stainless steel available.

## **C. APPROVED PVC "FAST MOUNT" FLOOR SCREED**

Makes installation layout quick and easy; prevents thermal transfer. Shipped precut and metered with its own layout drawing.

## **D. CARRIER RAILS FOR INTERIOR FITTINGS**

All vertical panels have integral carrier rails to mount interior fittings quickly and securely.

## **E. CFC FREE URETHANE CLASS 1 RATED FOAM INSULATION**

Highest "R" value, best compressive strength, CFC Free foam, no disposal problems. Now Class 1 rated!

## **F. HANDY STORE FIXTURES STANDARD SWING DOORS**

Flush mounted, flexible sizing, loaded with quality features – standard.

## **G. LOCK RITE CORNER DESIGN**

One piece Handy Store Fixtures corner construction for maximum strength. Flexible design allows door placement as little as 6" from corner. Makes installation layout quick and easy; prevents thermal transfer.

## **H. ANGULAR & REGULAR DESIGN ABILITY**

Handy Store Fixtures will manufacture a product that fits your plan. Irregular heights, widths, or shapes; its our specialty.

**INCLUDED**

All standard Handy Store Fixtures panels are finished in bright embossed 26 gauge, galvanized steel. Each panel includes a patented “camlock” locking device which locks panels together using a hex wrench. All Handy Store Fixtures panels are insulated with a rigid, energy efficient, Class 1 urethane foam - CFC free - foamed in place. Sturdy wood frame, tongue and groove construction for long life, flexibility, and strength. Standard 36” x 78” high door, including magnetic gasket, locking door latch with safety release, self closing cam lift hinges, PVC door jam, vapor proof light, pilot switch, diamond plate threshold, and dial thermostat. Wiper gasket at threshold. Complete, detailed installation and layout drawing shipped with every job.

**PANEL FINISH**

Your Handy Store Fixtures Cooler/Freezer Unit can be ordered with upgraded interior and/or exterior finishes. Embossed galvanized steel is standard.

- Aluminum
- Stainless Steel
- Diamond Plate
- Fiberglass (FRP)
- White Epoxy
- Color Epoxy

**PANEL THICKNESS**

To increase the insulating value of your unit, select an upgrade from the standard 3.625” panel thickness.

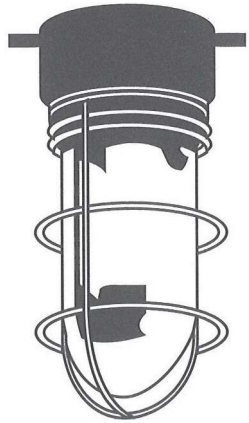
- Full 4”
- Full 5”
- Full 6”

**OPTIONS**

- Add a partition to divide your walk-in into multiple compartments.
- Add a floor. All floors are reinforced with 3/4” CDX plywood sheathed with galvanized steel.
- Add framed out openings, customized to your specifications.

**R VALUE**

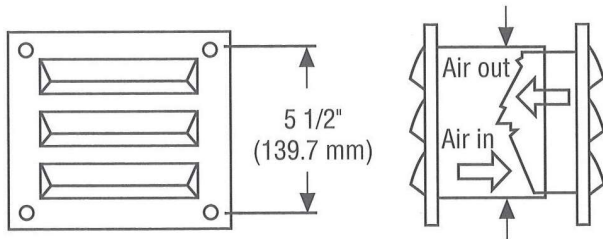
- 3.625” Panels have an R Value of 28
- 4” Panels have an R Value of 32
- 5” Panels have an R Value of 40



**VAPOR PROOF LIGHT**

Cast aluminum UL listed housing. Poly Carbonate globe, wire cage, use up to 100W bulb (not included).

Size	Item #
4.5" x 9"	VPL SK



**PRESSURE RELIEF PORT**

Provides maximum pressure relief venting by using flexible riser flaps. No springs or mechanical devices. Freezer port is heated.

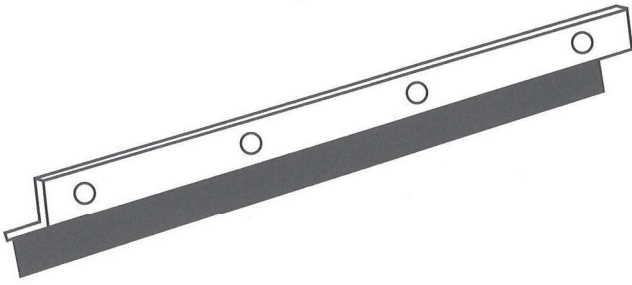
Type	Item #
Cooler	CPRP
Freezer	FPRP



**THERMOMETER**

Recessed mount, stainless body, NSF approved probe.

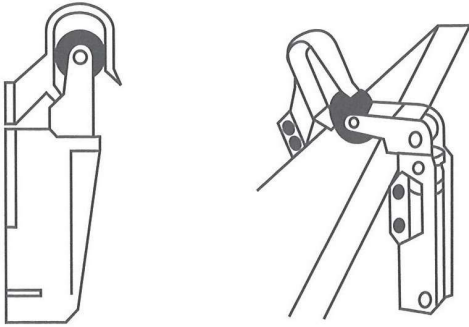
Type	Item #
3" Dia.	SFRT
Digital	GT



**DOOR SWEEP**

Heavy gauge stainless steel formed for strength, pre-drilled for fast install, and with a rubber sweep.

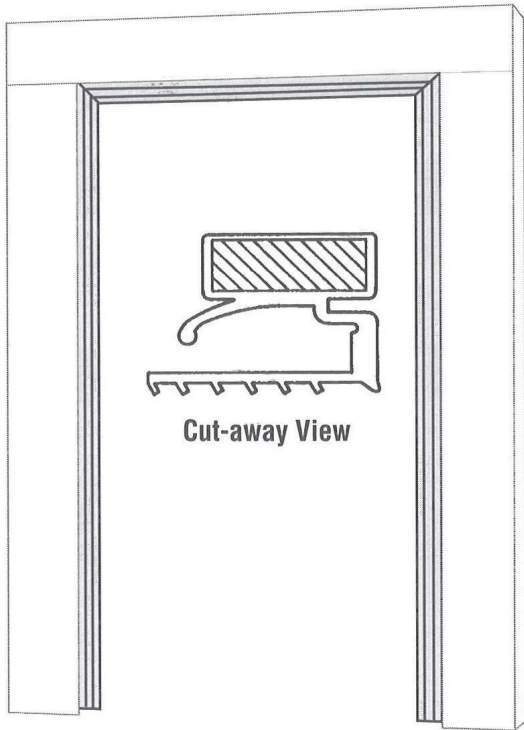
Type	Item #
12" - 60"	RDS



**DOOR CLOSER**

Will assist in pulling entry doors closed while allowing compressed air to escape.

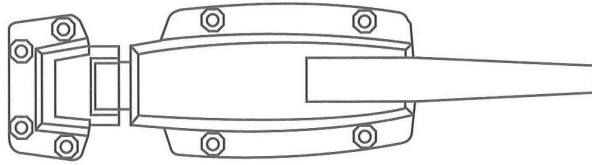
Type	Item #
Fits All	SKDC



**MAGNETIC DOOR GASKET**

Door gaskets get a lot of use. Worn gaskets cost energy. Replace worn or damaged door gaskets at once. Vinyl extruded material stays pliable and contains magnetic core to insure positive door closure.

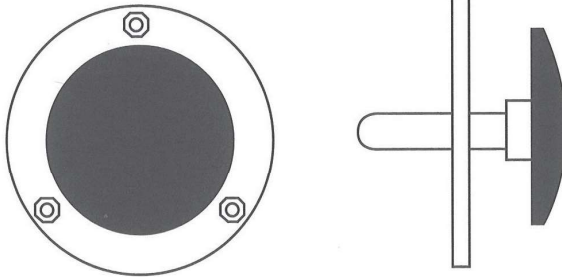
Door Size	Item #
30"	MDG 30
36"	MDG 36
42"	MDG 42
48"	MDG 48
60"	MDG 60



**HANDLE AND STRIKE**

Die cast, bright finished Zamak, handle solid brass, bright plated. Used with 1.375" offset.

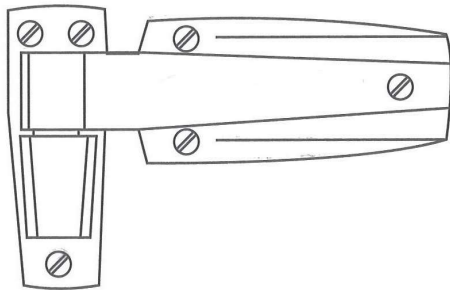
Size	Item #
4" x 12"	HRS SK



**INSIDE SAFETY RELEASE**

Spring loaded inside safety release; fits 3.5" thick doors.

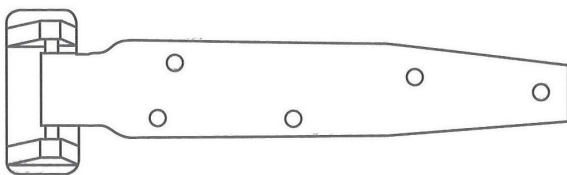
Size	Item #
3.5"	ISR 35



**LIFT OFF HINGES**

Can be used right or left handed, self lubricating nylon cam, die cast zinc plated finish; for 1.375" offset.

Size	Item #
5.5" x 10"	LOH SK



**STRAP TYPE HINGES**

Heavy duty "strap type" hinges, malleable finish. Recommended for entry doors over 48" wide.

Item #	HDSH
--------	------