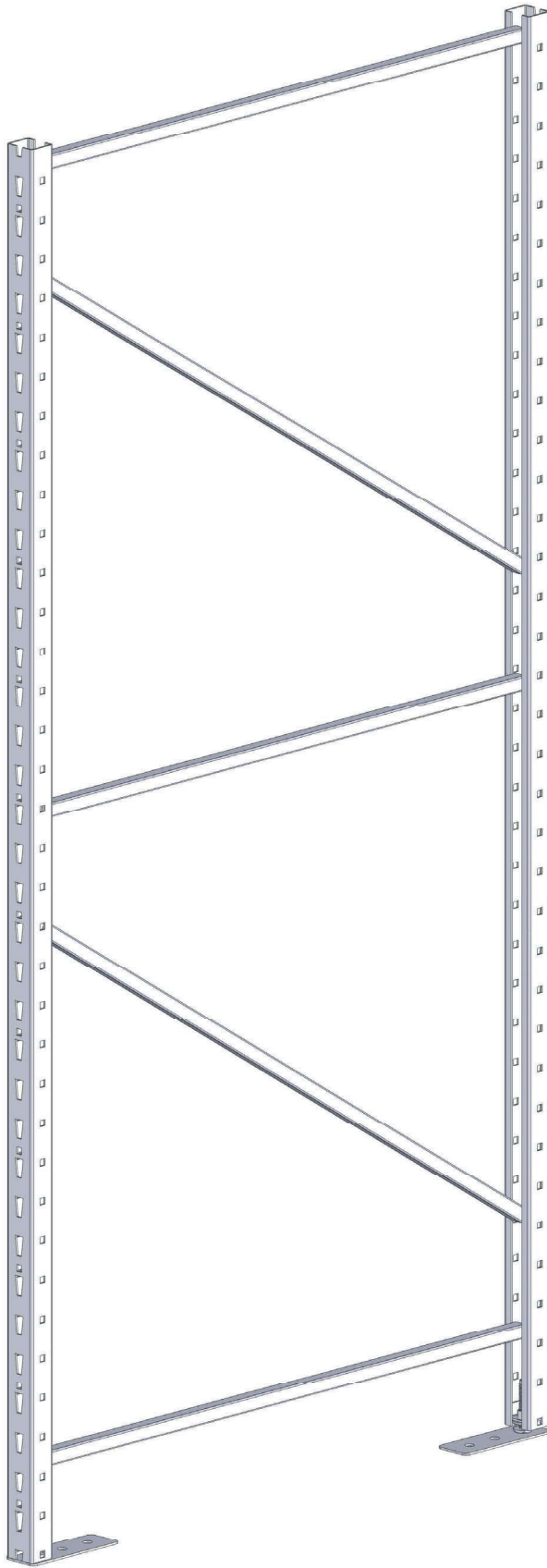




**CLEARSPAN**

Economical and efficient, Handy Store Fixtures Clearspan Storage System offers storage solutions for any back room. Preassembled, welded uprights quickly set up to create clean storage spans of up to 96" wide and 10' high in one unit. Standard duty, 2,000 lbs rated beams or heavy-duty 3,000 lbs. capacity beam to erect necessary storage systems.

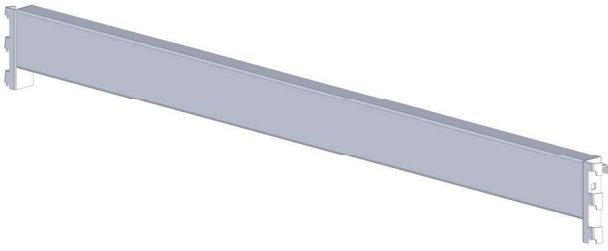
# CLEARSPAN UPRIGHT FRAME



## CLEARSPAN UPRIGHT FRAME

Sturdy, welded upright frame, unitized constructed for fast assembly. Slotted posts allow for 2" on center adjustability. All frames are powder coated and include welded bracing. Maximum of 10,000 lbs load capacity per frame. Available in all Storflex standard colors.

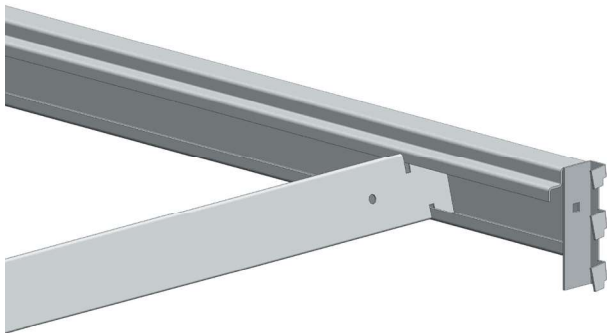
Item#	CSF <input type="checkbox"/> <input type="checkbox"/> <input type="checkbox"/> <input type="checkbox"/>	
	Depth	Height
CSF	18"	48"
	24"	60"
	30"	72"
	36"	84"
	42"	96"
	48"	120"



**STANDARD DUTY BEAMS**

High strength steel Standard Duty Beams require use of standard duty supports. Two required per level. Available in all Storflex standard and optional finishes.

Size	Item #
36"	CSRB 36
48"	CSRB 48
72"	CSRB 72
84"	CSRB 84
96"	CSRB 96

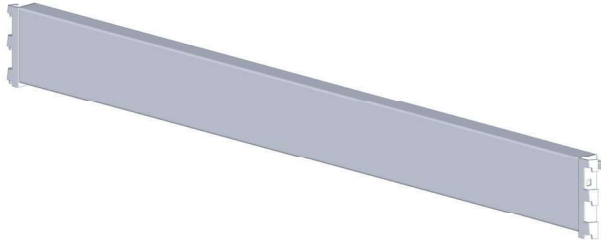


**STANDARD SHELF SUPPORTS**

Standard Duty shelf supports are required with or without shelves. Shelf supports turn and snap into place to "tie" beams together. (2) per 36"-48" shelf & (4) per 72"-96" shelf.

Size	Item #
18"	CSSC 18S
24"	CSSC 24S
30"	CSSC 30S
36"	CSSC 36S
42"	CSSC 42S
48"	CSSC 48S

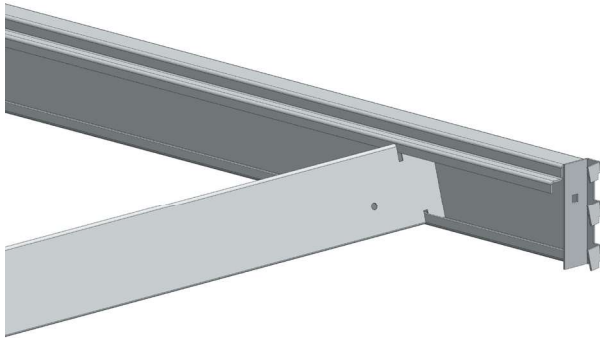
# CLEARSPAN HEAVY DUTY COMPONENTS



## HEAVY DUTY BEAMS

Extra Heavy Duty design includes increased beam face. Order where increased capacity is required.

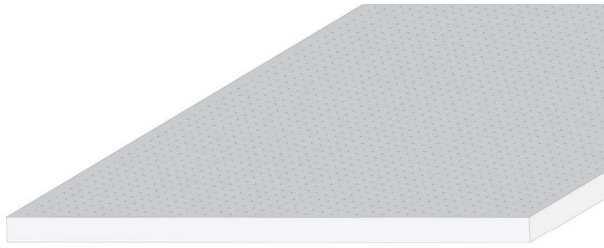
Size	Item #
36"	CSHB 36
48"	CSHB 48
72"	CSHB 72
84"	CSHB 84
96"	CSHB 96



## HEAVY DUTY SHELF SUPPORTS

Heavy Duty Shelf Supports are extra large, sized to fit heavy duty beams. Same "tip" in, "snap" down design. There are four required per set of beams. (2) per 36"-48" shelf & (4) per 72"-96" shelf.

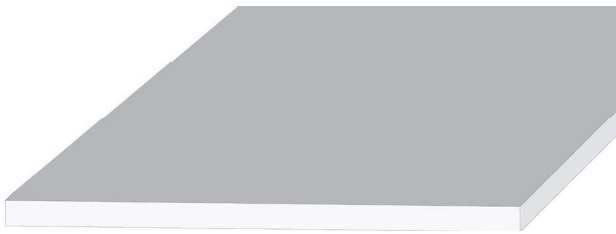
Size	Item #
18"	CSHB 18
24"	CSHB 24
30"	CSHB 30
36"	CSHB 36
42"	CSHB 42
48"	CSHB 48



Particle Board (Part reference #1)



Plywood (Part reference #2)



Melamine (Part reference #3)



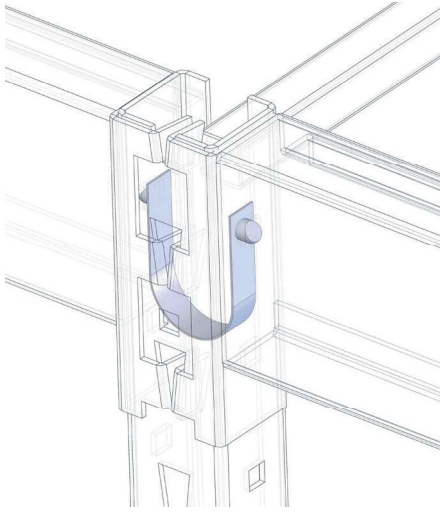
Wire (Part reference #4)

**CLEARSPAN SHELVES**

Clearspan Shelves are available in industrial grade particle board, plywood, melamine - all 5/8" thick.

Wire grid shelves are 1/4" thick with 2" center that provides efficient, strong grid shelves.

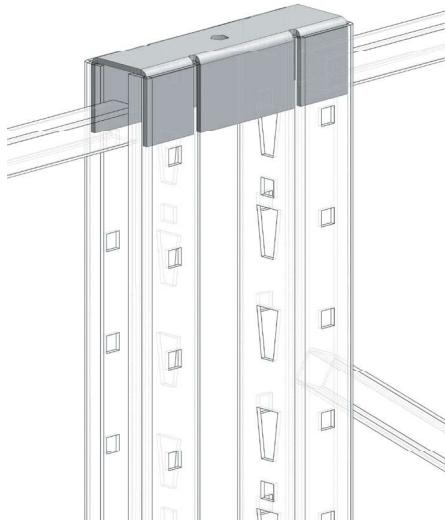
Item#	C S W S			<input type="checkbox"/>	<input type="checkbox"/>	<input type="checkbox"/>
				Depth	Height	Type
Prefix	Depth	Height	Type			
CSWS	18"	36"	1 - Standard			
	24"	48"	Particle Board			
	30"	72"	2 - Plywood			
	36"	84"	3 - Melamine			
	42"	96"	4 - Wire			
	48"					



**BEAM LOCKING CLIPS**

Recommended to lock beams in place. Plastic, push-type mechanism.

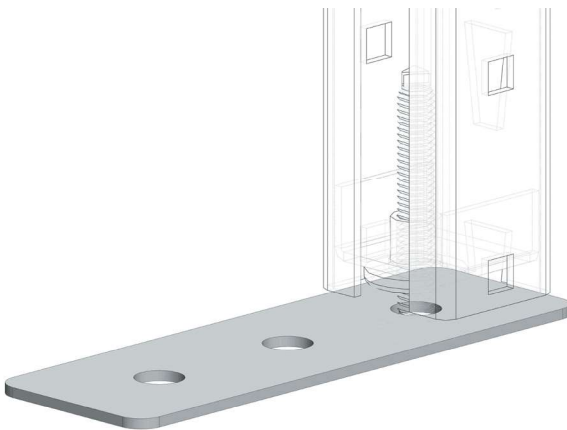
Quantity	Item #
<b>50 pack</b>	<b>BLC</b>



**BACK-TO-BACK CONNECTORS**

Used to tie Upright Frames to each other. Keeps frames 2.5" apart, prevents movement, and stabilizes spacing.

Quantity	Item #
<b>10 pack</b>	<b>CSBBC</b>



**FLOOR ANCHORS**

Heavy gauge steel anchor to fasten Uprights to floors.

Quantity	Item #
<b>10 pack</b>	<b>CSFFA</b>