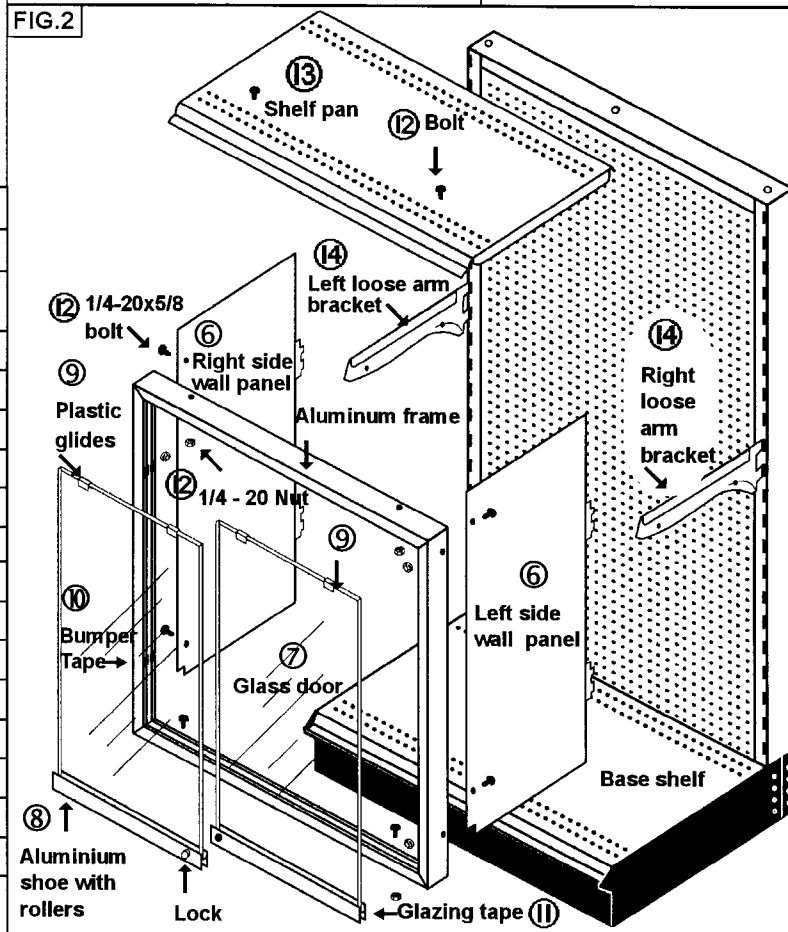
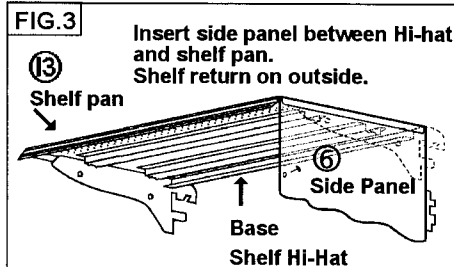
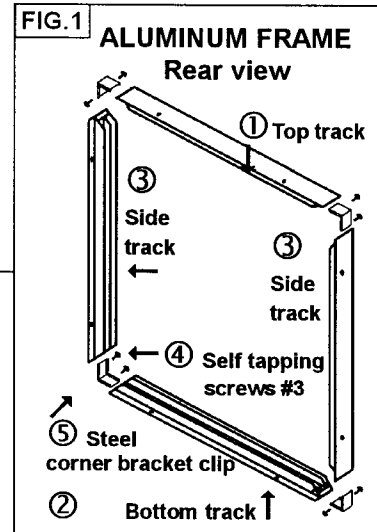


METAL SECURITY CASE WITH SLIDING GLASS DOOR ASSEMBLY INSTRUCTIONS

- FIG 1. Put top #1, bottom #2, and side tracks #3, together using steel corner clips #5, and sheet metal screws #4.
- FIG 2. Insert the left and the right #6 side wall panels into the uprights. The bottom of the side wall panel should rest between gondola's shoe and the base shelf. (Shelf Type Security side wall panels rest on shelf.)
- Locate the aluminum frame at the front of the base shelf, match with the side panels.
- Nut and bolt the bottom track to the shelf through perforation and the side tracks to the side wall panels using nuts & bolts #12.
- FIG 3. Hook in left and right #14 loose arm brackets. Match them with the top of the side wall panels #6. Place the shelf pan #13 on the top of the loose arms. The arms should be located between hi-hats and the pan side bends.
- FIG 2. Attach shelf pan #13 to aluminum frame top track #1 nuts & bolts #12.
- Attach glazing tape #10 to bottom of glass doors. Insert glass doors into aluminum shoes.
- Cut bumper tape #11 into 8 small pieces. Place inside sides of aluminum track. This acts as a cushion between glass and track and helps prevent glass from chipping.
- Mount the glass doors #7 with aluminum shoes #8 and top plastic glides #9 into aluminum frame.
- Install the doors into the frame.



BASE SHELF TYPE SECURITY CASE SLIDING GLASS DOORS AND LOCK		
Item #	PARTS PER MODULE	Qty. of parts
#1	Top aluminum frame track	1
#2	Side aluminum frame track	2
#3	Bottom aluminum frame track	1
#4	Self tapping screws #3	8
#5	Corner bracket clip	4
#6	Metal side panels	2
#7	Sliding doors	2
#8	Door shoes with wheels	2
#9	Plastic door glides	4
#10	Glazing tape	6
#11	Bumper tape	1
#12	Bolts 1/4 x 20 x 5/8 & nuts	8 ea.
#13	Upper shelf pan	1
#14	Loose arm brackets	2

NOTE: Aluminum T-Molding filler seam is needed for security cases run.

- Shelf type security case assembles the same way except it sits on a Handy standard shelf not over base deck.
- 12" deep or 18" deep base security case, sits on a 13" deep and 19" deep base shelves.
- Shelves sizes for Inside case should be 4" less than base.
- Grid and masonite doors also available.

Corporate Headquarters • 337 Sherman Avenue • Newark New Jersey 07114 • 1-800 631-4280

Your Store Fixture Source... **Handy**®

MANUFACTURING STORE FIXTURES SINCE 1952 STORE FIXTURES

scb-g/p02